



Product Specification

AI500 Infrared temperature measuring machine XXXB-22

Product Advantages

	Non-contact; Reduce contact risk		Portable; Small volume
	1280*780 resolution		High accuracy; Measuring distance 10cm
	Can add 12V battery		Intelligent broadcast; High temperature alarm; More than 100 languages
	Advertising; Split screen display		Document data storage



Product Description

AI500 Human body temperature measurement detection intelligent terminal (model XXKB-22) is a temperature measurement product of non-contact temperature measurement module. When people pass through, the body surface temperature is measured by infrared induction. The entire measurement process is a non-contact experience, and it is accurate, reliable, efficient and non-perceptive. If the temperature of the detected person exceeds a certain threshold, the signal light of the terminal will send out an abnormal warning and carry out a voice reminder.

The product design follows the economic, practical, safe and stable design idea, and provides a complete set of high-quality infrared body temperature detection management system for smart traffic. The performance of the entire system is stable, the technology is mature, simple and stylish, which can not only meet the current needs of traffic management, but also check out the abnormal body temperature person.

Application Scenarios

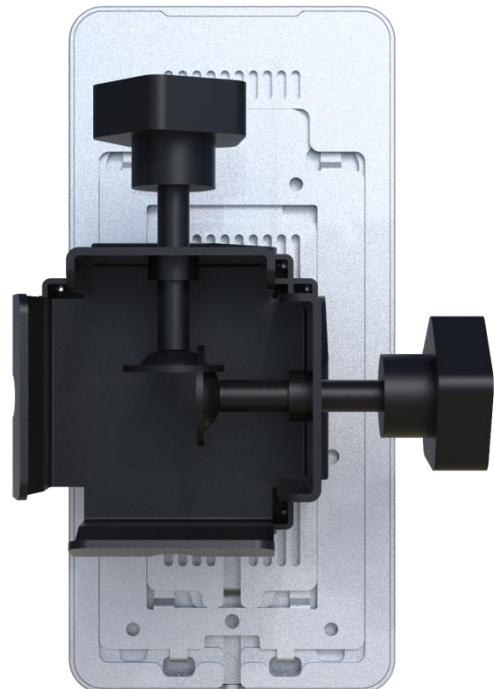
Applicable to office areas, hotels, office buildings, schools, shopping malls, shops, communities, public services and management projects that need to use face access control places.

Model		XXXB-22
Screen	Size	5.0 inch IPS LCD screen
	Resolution	720*1280
Processor	CPU	RK3128 Quad core , RAM-A7 , main frequency is up to 1.3GHz
	RAM	DDR 1G
	Built-in memory	EMMC 8G
Sensor	Infrared sensor	Simultaneously integrate infrared induction and signal processing
	System management output	PWM output、SMBus output
	Accuracy at room temperature	±0.3°C
	Sensitivity	2KV
	Measuring distance	10CM
	Operating temperature	0°C~40°C
	Storage temperature	-10°C~70°C
Ports	Network Module	Support Ethernet, wireless (WIFI)
	Audio	Support 5W / 8R speakers, left and right channels, MIC interface
	USB Ports	USB OTG*1, USBHOST*1, standard port A
Android system	HDMI Ports	HDMI1.4 supports up to 1080P@60HZ output
	SD card	TF card
	Wired network interface	RJ45 ethernet interface*1
General parameters	Protection level	IP65 , Certain outdoor dustproof and waterproof function
	Power supply	DC12V (±10%)
	Operating temperature	- 10°C~60°C
	Storage temperature	-20°C~60°C
	Power consumption	13.5W (Max)
	Installation method	Wall-mounted / desktop / vertical (optional)
	Dimensions	200*95*27 (mm)
	Weight	1kg

Installation Method



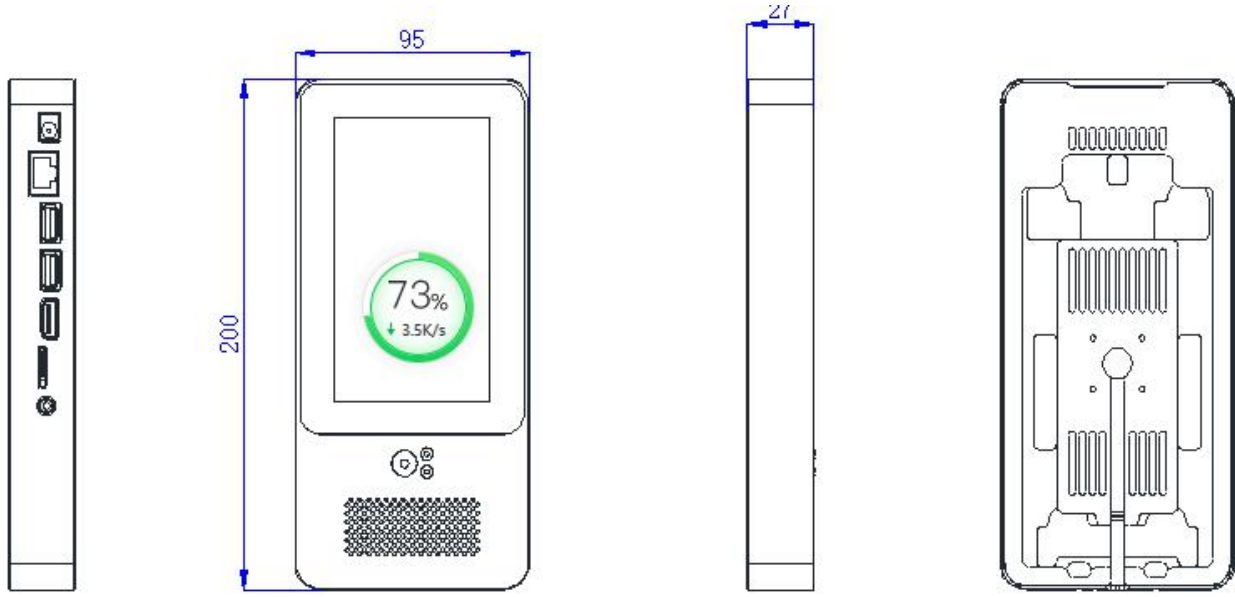
Wall-mounted movable base



Multi-scenario movable base



Desktop base

Model	
Overall size chart	
Package dimensions	
Installation diagram	


Contact us



Jenny Sales Manager

 Tel:+86 17805991224

 Email:lijunhui@hsdmall.com

 WhatsApp:+86 17805991224

 Skype:86-17805991224

Beijing Hushida Technology Co., Ltd

 407, Lianchuang Building, Shangdi 7th Street, Haidian District, Beijing



Tina Sales Manager

 Tel:+86 13728810358

 Email:tina@hsdtouch.com

 Wechat:+86 17710509213

 Skype:tina.cheng53

Beijing Hushida Technology Co., Ltd

 407, Lianchuang Building, Shangdi 7th Street, Haidian District, Beijing